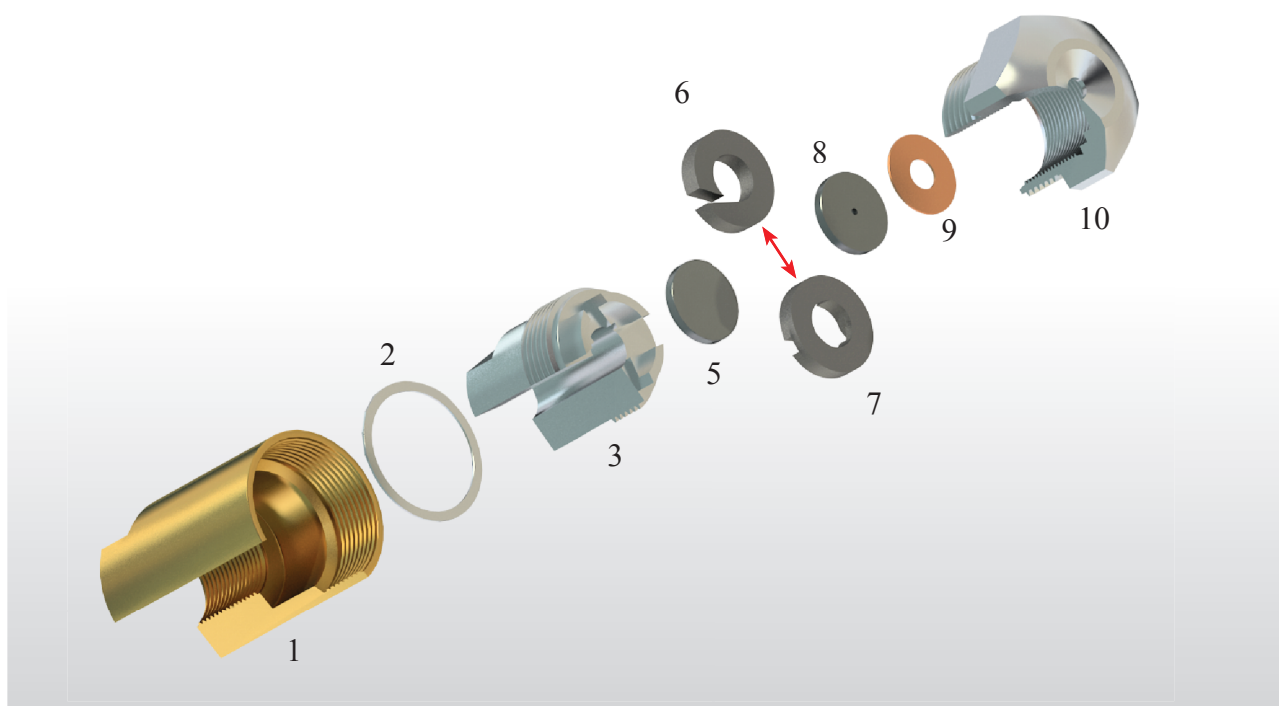


TYPE: P2



CODE	DESCRIPTION	POS
03000	Body P2 3/8"	1
03034	Body P2 3/4"	1
03100	Aluminium Ring	2
03200	Core Central P2	3
05500	Copper Ring	9
03300	Head P2	10
05204	1 Way Swirl Sintered Steel H=4mm	6
05205	1 Way Swirl Sintered Steel H=5mm	6
05206	1 Way Swirl Sintered Steel H=6mm	6
05207	1 Way Swirl Sintered Steel H=7mm	6
05208	1 Way Swirl Sintered Steel H=8 mm	6
052010	1 Way Swirl Sintered Steel H=10mm	6
052012	1 Way Swirl Sintered Steel H=12mm	6
052014	1 Way Swirl Sintered Steel H=14mm	6
05204W	1 Way Swirl Tungsten Carbide H=4 mm	6
05205W	1 Way Swirl Tungsten Carbide H=5 mm	6
05206W	1 Way Swirl Tungsten Carbide H=6 mm	6
05207W	1 Way Swirl Tungsten Carbide H=7 mm	6
05208W	1 Way Swirl Tungsten Carbide H=8 mm	6
05210W	1 Way Swirl Tungsten Carbide H=10 mm	6
05212W	1 Way Swirl Tungsten Carbide H=12 mm	6
05305	3 Way Swirl Sintered Steel H=5 mm	7
05306	3 Way Swirl Sintered Steel H=6 mm	7
05307	3 Way Swirl Sintered Steel H=7 mm	7

TYPE: P2

CODE	DESCRIPTION	POS
053085	3 Way Swirl Sintered Steel H=8.5 mm	7
053010	3 Way Swirl Sintered Steel H=10 mm	7
053012	3 Way Swirl Sintered Steel H=12 mm	7
05305WCI	3 Way Swirl Cylindrical Hole Tungsten Carbide H=5 mm	7
05306WCI	3 Way Swirl Cylindrical Hole Tungsten Carbide H=6 mm	7
05307WCI	3 Way Swirl Cylindrical Hole Tungsten Carbide H=7 mm	7
05385WCI	3 Way Swirl Cylindrical Hole Tungsten Carbide H=8.5 mm	7
05310WCI	3 Way Swirl Cylindrical Hole Tungsten Carbide H=10 mm	7
05312WCI	3 Way Swirl Cylindrical Hole Tungsten Carbide H=12 mm	7
05100	Plaque Tungsten Carbide	5
054007	Nozzle Tungsten Carbide 19x3 Hole 0,7 mm	8
054008	Nozzle Tungsten Carbide 19x3 Hole 0,8 mm	8
054010	Nozzle Tungsten Carbide 19x3 Hole 1,0 mm	8
054012	Nozzle Tungsten Carbide 19x3 Hole 1,2 mm	8
054013	Nozzle Tungsten Carbide 19x3 Hole 1,3 mm	8
054014	Nozzle Tungsten Carbide 19x3 Hole 1,4 mm	8
054015	Nozzle Tungsten Carbide 19x3 Hole 1,5 mm	8
054016	Nozzle Tungsten Carbide 19x3 Hole 1,6 mm	8
054017	Nozzle Tungsten Carbide 19x3 Hole 1,7 mm	8
054018	Nozzle Tungsten Carbide 19x3 Hole 1,8 mm	8
054019	Nozzle Tungsten Carbide 19x3 Hole 1,9 mm	8
054020	Nozzle Tungsten Carbide 19x3 Hole 2,0 mm	8
054021	Nozzle Tungsten Carbide 19x3 Hole 2,1 mm	8
054022	Nozzle Tungsten Carbide 19x3 Hole 2,2 mm	8
054023	Nozzle Tungsten Carbide 19x3 Hole 2,3 mm	8
054024	Nozzle Tungsten Carbide 19x3 Hole 2,4 mm	8
054025	Nozzle Tungsten Carbide 19x3 Hole 2,5 mm	8
054026	Nozzle Tungsten Carbide 19x3 Hole 2,6 mm	8
054027	Nozzle Tungsten Carbide 19x3 Hole 2,7 mm	8
054028	Nozzle Tungsten Carbide 19x3 Hole 2,8 mm	8
054030	Nozzle Tungsten Carbide 19x3 Hole 3,0 mm	8
054032	Nozzle Tungsten Carbide 19x3 Hole 3,2 mm	8
054034	Nozzle Tungsten Carbide 19x3 Hole 3,4 mm	8
054035	Nozzle Tungsten Carbide 19x3 Hole 3,5 mm	8
054038	Nozzle Tungsten Carbide 19x3 Hole 3,8 mm	8
054040	Nozzle Tungsten Carbide 19x3 Hole 4,0 mm	8
054045	Nozzle Tungsten Carbide 19x3 Hole 4,5 mm	8
054050	Nozzle Tungsten Carbide 19x3 Hole 5,0 mm	8