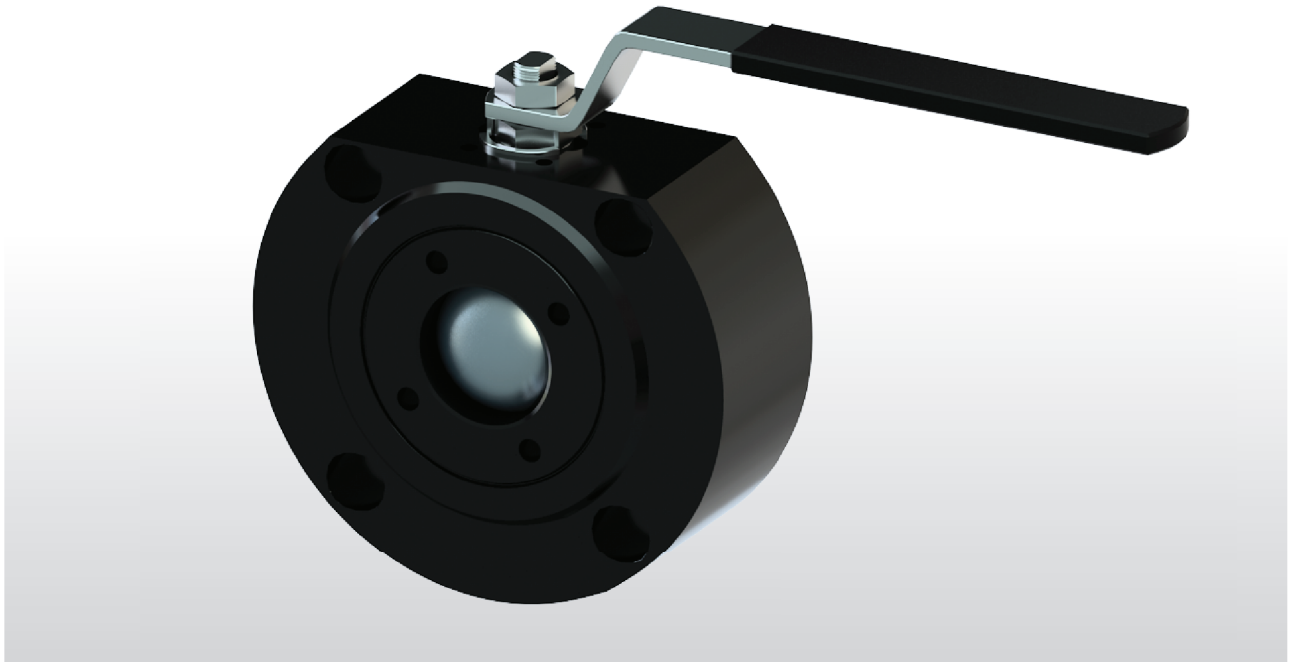


TYPE: MOON



CODE	DESCRIPTION
V515X604	MOON wafer ball valve total passage dia 1/2" (DN15)
4009X605	MOON wafer ball valve total passage dia 3/4" (DN20)
4255N606	MOON wafer ball valve total passage dia. 1" (DN25)
4241X609	MOON wafer ball valve total passage dia. 2" (DN50)
4009X610	MOON wafer ball valve total passage dia 2" 1/2 (DN65)
4090X611	MOON wafer ball valve total passage dia. 3" (DN80)
4255X612	MOON wafer ball valve total passage dia. 4" (DN100)